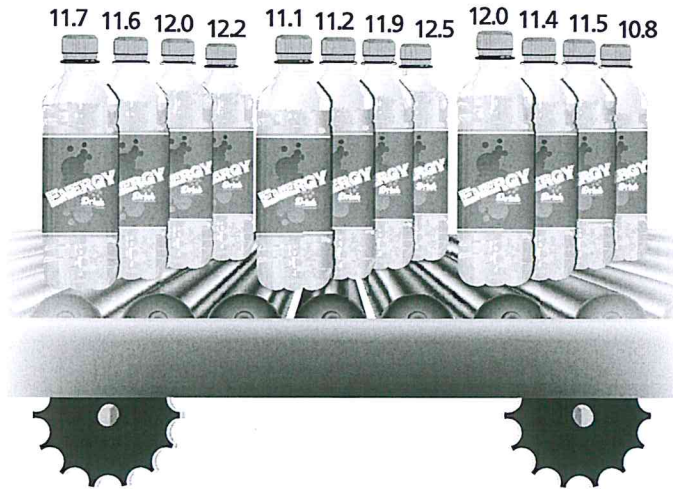


CCSS
7.NS.1**Bottling**

For use after Section 2.2

The diagram shows the amounts of liquid (in fluid ounces) in 12 bottles of energy drinks that just exited the filling and capping machine.



1. Labels indicate that the bottles contain 12 fluid ounces. Express the contents of each bottle as its amount above (positive) or below (negative) 12 fluid ounces.
2. Of the 10 bottles that were inaccurately filled, which two have a collective error of 0 fluid ounces? Use the values in Exercise 1 to justify your answer.
3. A worker discards bottles that are not within $\frac{1}{2}$ fluid ounce. What percent of these 12 bottles are discarded?
4. Do you think the filling mechanism should be adjusted? If so, how? Use the values in Exercise 1 to justify your answer.